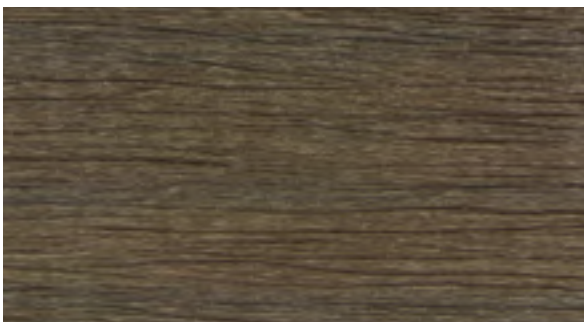


Graphite



Lunar Grey



Wengé

23 x 138 x 4000 mm



Graphite

Ref. 1125

Lunar Grey

Ref. 1126

Wengé

Ref. 1127

23 x 210 x 4000 mm



Graphite

Ref. 1128

Lunar Grey

Ref. 1129

Wengé

Ref. 1130

23 x 138 x 3000 mm



Graphite

Ref. 1131

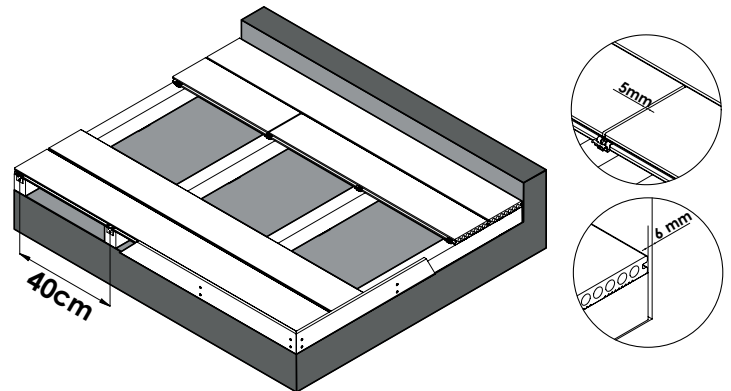
Lunar Grey

Ref. 1132

Wengé

Ref. 1133

Installation



FIXING : Cobra Hybrid 8-18



90 pcs



1 pcs

Test	Standard / Method	Value
Propriétés physiques		
Linear mass	NF EN 15534-1 NF EN 15534-4	3.46 kg/ml
Brinell Hardness		72 N/mm ²
Artificial weathering		$\Delta E = 1.65$
Mechanical properties		
Falling mass impact resistance	NF EN 15534-1 + A1	No more than 1 breakage for 10 samples No crack
Bending strength	NF EN 15534-1 + A1 - Annex A EN 15534-4 Section 4.5.2	36.3 Mpa - Span 400 mm
Modulus of elasticity		3.72 Gpa - Span 400 mm
Deflection at 500N		1.23 mm < 2 mm - Span 400 mm
Creep behavior	NF EN 15534-1 + A1	ΔS (creep) = 4.35 mm
Antislip test	DIN 51130	R10
Thermal properties		
Linear thermal expansion	NF EN 15534-1	34 10 ⁻⁶ K ⁻¹
Durability		
Water absorption (28 days)	NF EN 15534-1	0.28%